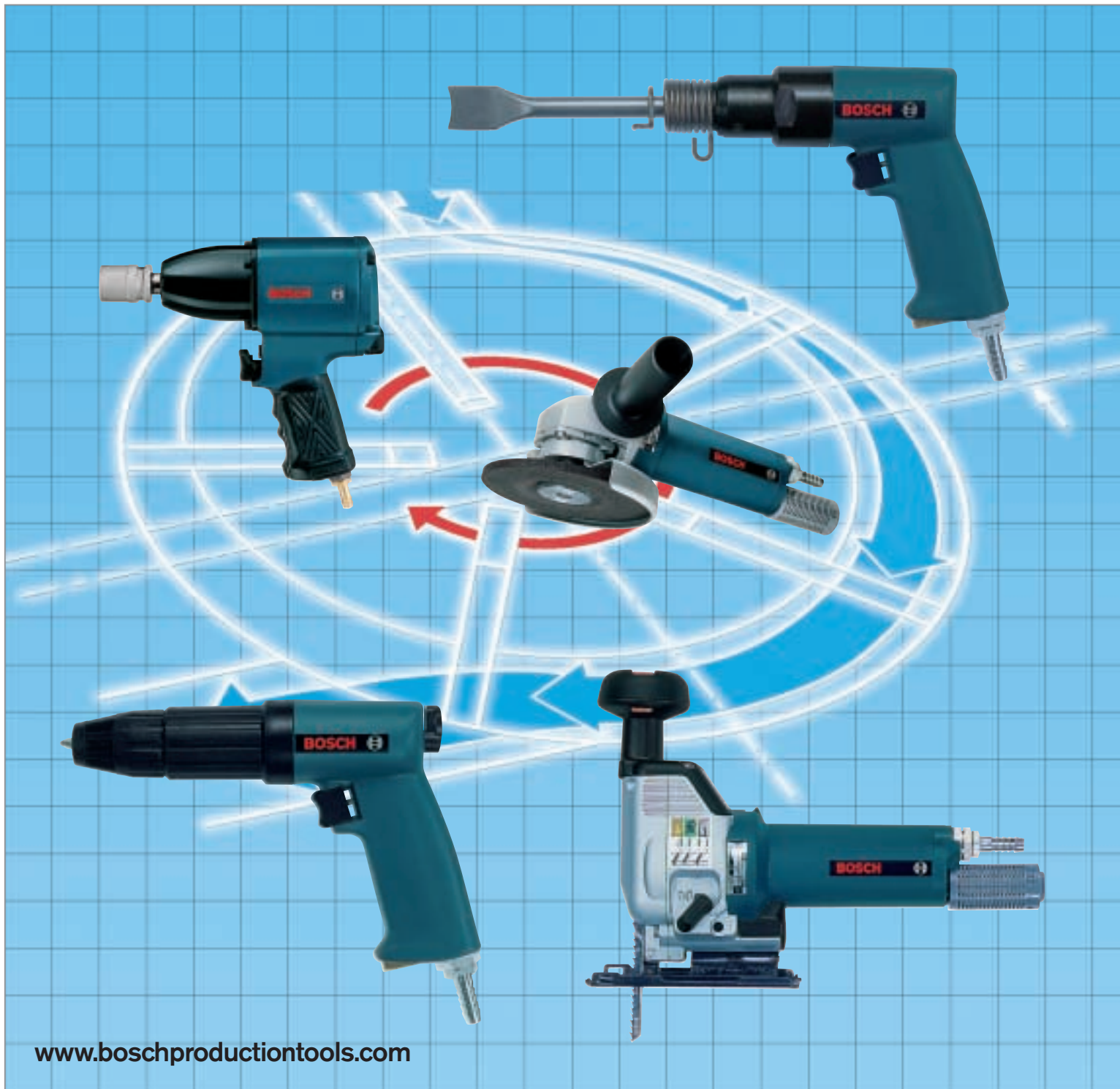


Chisel Hammers and Needle Descaler



www.boschproductiontools.com

Chisel Hammers and Needle Descaler

Chisel Hammer

- High quality impact housing for low wear
- Polyamide housing reduces weight and provides operator comfort
- Wide range of high quality chisels available (see page 20)
- Powerful linear motor
- Waste air expelled via handle

Chisel Hammer Set



Chisel Hammer



Needle Descaler



Tool part number	Impact rate (rpm)	Air consumption under load (l/s)	Air consumption under load (cfm)
0 607 560 501	3600	8.5	18
0 607 560 500	3600	8.5	18
0 607 560 502	3900	8.5	18

	Weight (kg / lbs)	Toolholding fixture	Air inlet thread	Air hose inside diameter (inches)	Features	Included Accessories	Accessory Part numbers
	1.0/2.2 (Hammer only)	See remarks	1/4" NPT	3/8"	Chisel hammers are used for smoothing and cutting work. The tool holding fixture accepts both hexagon and round shaft 10 mm (3/8") chisels.	Chisel hammer set includes: Chisel hammer Pipe cutting chisel Sheet metal cutting chisel 3/4" Flat chisel Metal carrying case Barbed hose nipple	0 607 560 500 1 609 390 298 2 609 390 014 2 609 390 015 3 605 438 010 2 603 386 002
	1.0/2.2	See remarks	1/4" NPT	3/8"	Chisel hammers are used for smoothing and cutting work. The tool holding fixture accepts both hexagon and round shaft 10 mm (3/8") chisels.	Chisel holding spring Barbed hose nipple	3 604 650 000 2 603 386 002
	1.9/4.2	Not Applicable	1/4" NPT	3/8"	For removal of rust, scale, slag or any excess material from various steel surfaces. Impact force is 1.4 kJoules per impact	1 set of needles Allen key Barbed hose nipple	1 607 000 027 3 607 950 003 2 603 386 002