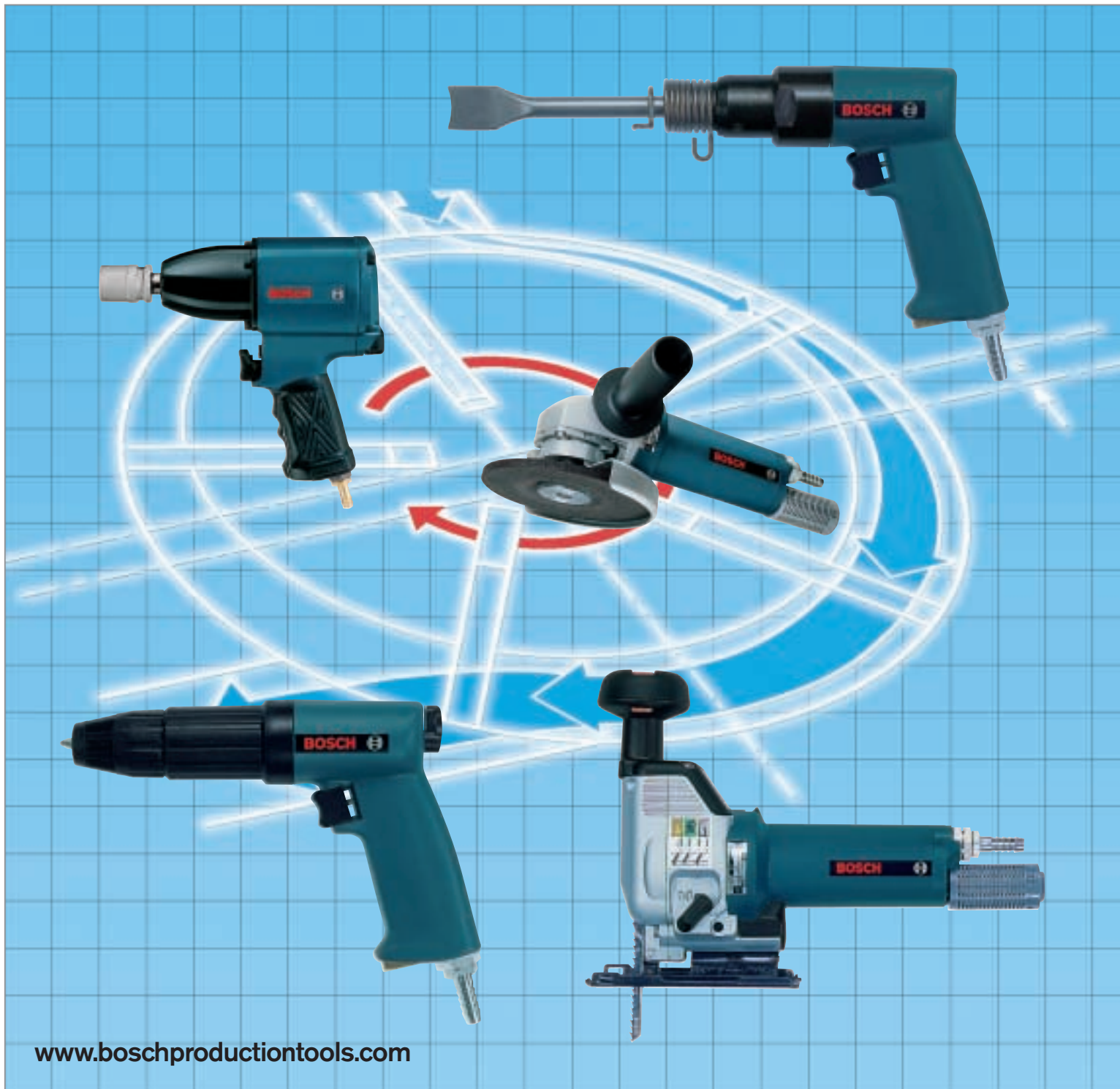


Nibblers, Shears, Foam Rubber Cutter & Jigsaws



www.boschproductiontools.com

Nibblers, Shears, Foam Rubber Cutter and Jigsaws

Nibbler and Shears

- Polyamide housing reduces weight and provides operator comfort
- Powerful sleeve valve motor
- Waste air expels through handle
- Available accessories are identical to Bosch electric models
- Head unit is identical to Bosch electric models

Nibbler



**400 Watt
0.54 Hp Motor**

Shear



**400 Watt
0.54 Hp Motor**

Scissor Shear



**320 Watt
0.43 Hp Motor**

Foam Rubber Cutter



**120 Watt
0.16 Hp Motor**

Jigsaw



**400 Watt
0.54 Hp Motor**



Jigsaws

- Polyamide housing substantially reduces weight and provides operator comfort
- Room air is not drawn through motor, ensuring long life when cutting abrasive materials such as fiberglass or masonite
- Waste air expels through handle
- Tool-free system allows quick blade changes without tools
- 4-stage orbital action matches blade stroke to workpiece and cutting task
- Head unit is identical to Bosch electric models

Tool part number	Cutting capacity	Stroke rate (rpm)
0 607 561 102	14 Gauge (.075") mild steel	1900
0 607 561 106	14 Gauge (.075") mild steel	1900
0 607 561 113	14 Gauge (.075") mild steel	1900
0 607 561 101	14 Gauge (.075") mild steel	1900
0 607 561 105	14 Gauge (.075") mild steel	1900
0 607 561 112	14 Gauge (.075") mild steel	1900
0 607 560 503	14 Gauge (.075") mild steel	2600
0 607 595 100	3 to 12 inches	3800
0 607 561 114	Wood 2 3/8"	2400
0 607 561 116	Plastic 1 1/4"	2400
0 607 561 120	Aluminum 3/4"	2200
	Mild steel 3/8"	2200

	Power (watts/horsepower)	Air consumption under load (l/s)	Air consumption under load (cfm)	Weight (kg / lbs)	Air inlet thread	Air hose inside diameter (inches)	Features	Included Accessories	Accessory Part numbers
	400/0.54	12	25.4	1.5/3.3	1/4" NPT	3/8"	Locking switch	2.5 mm Allen wrench	1 907 950 003
	400/0.54	12	25.4	1.5/3.3	1/4" NPT	3/8"	Deadman switch	Punch	3 608 639 026
	400/0.54	12	25.4	1.5/3.3	1/4" NPT	3/8"	Paddle style switch	Die	1 607 031 143
								Barbed hose nipple	2 603 386 002
								Silencer	3 607 000 073
	400/0.54	12	25.4	2.2/4.9	1/4" NPT	3/8"	Locking switch	5 mm Allen wrench	1 907 950 006
	400/0.54	12	25.4	2.2/4.9	1/4" NPT	3/8"	Deadman switch	2.5 mm Allen wrench	1 907 950 003
	400/0.54	12	25.4	2.2/4.9	1/4" NPT	3/8"	Paddle style switch	Blade set	1 607 031 142
								Feeler gauge	2 607 970 001
								Barbed hose nipple	2 603 386 002
								Silencer	3 607 000 073
	320/0.43	6	12.7	1.3/2.9	1/4" NPT	3/8"	Cutting width 5 mm, smallest curve radius 300 mm	Allen wrench	2 607 950 004
								Barbed hose nipple	2 603 386 002
	120/0.16	5.5	11.7	1.2/2.6	1/4" NPT	3/8"	Saw blades and saw blade guides must be ordered separately. See accessory page 20 for details.	Footplate	2 608 000 114
								Barbed hose nipple	2 603 386 002
	400/0.54	12	25.4	1.8/4	1/4" NPT	3/8"	Locking switch	5 mm Allen wrench	1 907 950 006
	400/0.54	12	25.4	1.8/4	1/4" NPT	3/8"	Deadman switch	Barbed hose nipple	2 603 386 002
	400/0.54	12	25.4	1.8/4	1/4" NPT	3/8"	Paddle style switch	Silencer	3 607 000 073
								Includes saw blade set with anti-splinter insert; all replacement blades are available via Bosch service centers	

All motor power & torque data in this catalog assumes an air pressure of 6.3 bar/91psi exists at the tool inlet. Correct air pressure and volume should be verified at inlet with the tool running at no-load speed.