

# Leak and Flow Testing Solutions



**600** Series  
Differential Pressure  
Pressure Decay  
Mass Flow

**LeakMaster**

Leading the Way in Product Testing and Verification Solutions

# Connectivity



- ◆ The most versatile communications platform on the market
- ◆ Easy system integration and data collection capabilities
- ◆ RJ45 Ethernet TCP/IP port for communicating with PLC processors and PC data collection systems (FTP server/client, Sequel Server, etc.)
- ◆ Standard USB port for flash drive test results storage, test parameter storage, printer integration, and barcode reader integration.

# Traceability

LeakMaster Pro-server data collection software Channel 1 Data Collection									
Date/Time	Chassis#	Tank#	Leak Rate (SCCM)	Test Pressure	Pressure Units	Pressure Loss	Pass/Fail	Program No.	
5/16/2008 10:48	1PLS2208-SR20007	MX4Mar08-S1	0.987	79.02394867	PSIG	0.001629949	PASS	2	
5/16/2008 11:03	1PLS2208-SR20008	MX4Mar08-S2	69.84294891	79.09606171	PSIG	0.045189977	PASS	2	
5/16/2008 12:51	1PLS2208-SR20009	MX4Mar08-S3	110.0380478	79.17736053	PSIG	0.07119	FAIL	2	
5/16/2008 13:06	1PLS2208-SR20010	MX4Mar08-S4	40.65180588	79.12347412	PSIG	0.026300013	PASS	2	
5/16/2008 13:21	1PLS2208-SR20011	MX4Mar08-S5	104.8600311	79.03662872	PSIG	0.06784004	FAIL	2	
5/16/2008 13:36	1PLS2208-SR20012	MX4Mar08-S6	28.84268761	79.09307861	PSIG	0.018660009	PASS	2	
5/16/2008 13:51	1PLS2208-SR20013	MX4Mar08-S7	93.40644836	78.97021484	PSIG	0.06043005	FAIL	2	
5/16/2008 14:06	1PLS2208-SR20014	MX4Mar08-S8	18.40926361	79.15267181	PSIG	0.011910021	PASS	2	
5/16/2008 14:20	1PLS2208-SR20015	MX4Mar08-S9	83.20472717	78.98912811	PSIG	0.053829968	FAIL	2	
5/16/2008 14:35	1PLS2208-SR20016	MX4Mar08-S10	10.44890213	79.1218338	PSIG	0.006760001	PASS	2	
5/16/2008 15:08	1PLS2208-SR20017	MX4Mar08-S11	0	80.94042206	PSIG	0	FAIL	1	
5/16/2008 15:22	1PLS2208-SR20018	MX4Mar08-S12	144.3520966	78.86682892	PSIG	0.041890025	FAIL	1	
5/16/2008 15:37	1PLS2208-SR20019	MX4Mar08-S13	16.26533127	78.95114899	PSIG	0.004720092	PASS	1	
5/16/2008 15:52	1PLS2208-SR20020	MX4Mar08-S14	120.0923309	78.93818665	PSIG	0.034850001	FAIL	1	
5/16/2008 16:07	1PLS2208-SR20021	MX4Mar08-S15	30.49703598	79.0680542	PSIG	0.008850038	PASS	1	
5/16/2008 16:22	1PLS2208-SR20022	MX4Mar08-S16	140.6307373	78.99703217	PSIG	0.040810108	FAIL	1	

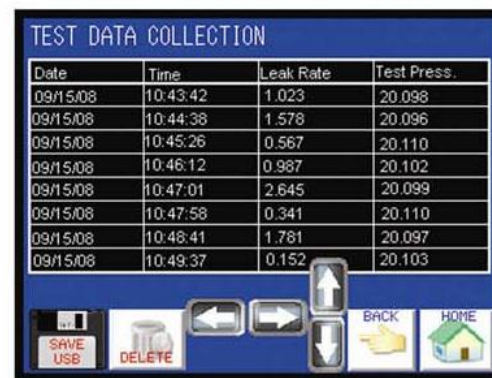
- ◆ Optional - Pro-Server software pre-developed (yet customizable) data collection package allows test results to be collected and saved in Excel spreadsheets or Access data base. Eliminates the need for expensive, custom Visual Basic Applications.
- ◆ Link multiple testers to one Pro-Server software package.
- ◆ Standard - LeakMaster leak testers store the last 5,000 tests internally. These test results can be automatically or manually extracted from the USB port with a USB flash drive for a free data collection package. The files are saved as a CSV (comma separate value) file, which allows easy viewing in Excel, Word pad, and other text viewers.



Set up screen



Run screen



Data collection screen

LeakMaster offers an easy to use, all digital Leak Test System, with a large user friendly multi-lingual graphical interface.



Easy setup



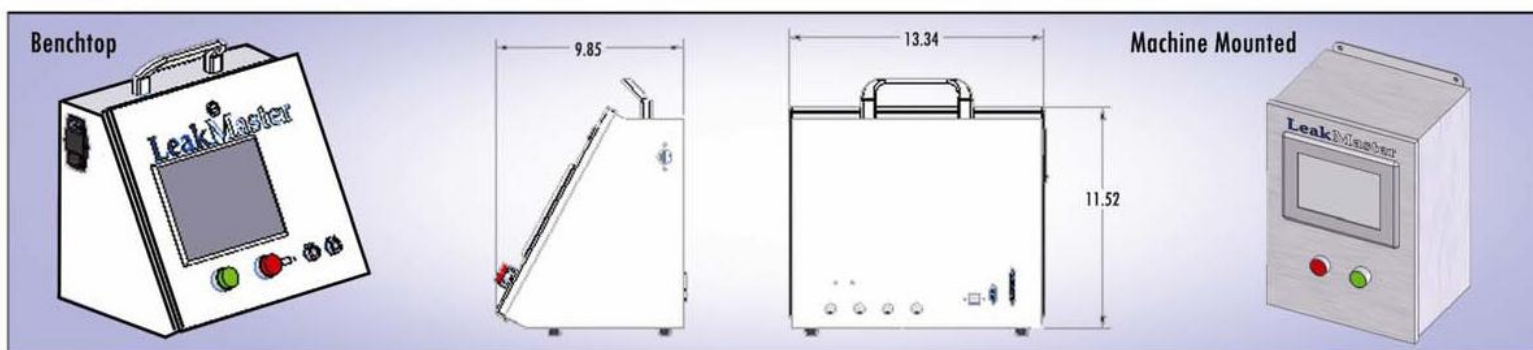
Easy to run



Easy to install

## Technical Characteristics

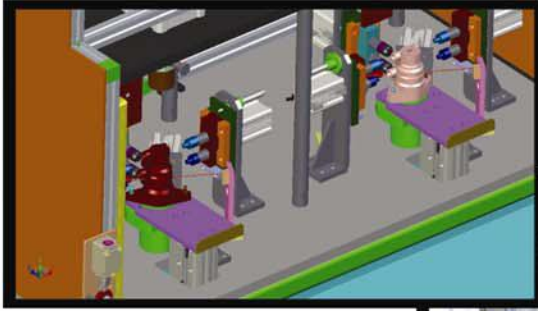
Specs for 600 series Leak Tester



	Standard	Optional	Applicable Tester
Channels	1	4	All 600 Series Testers
Programs per Channel	8	30	All 600 Series Testers
Ultra Fast Fill	No	Yes	All 600 Series Testers
Dual Pressure	No	Yes	All 600 Series Testers
Electronic Pressure Regulation	No	Yes	600DP
Calibrated Leak Orifice	1 NIST Traceable orifice w/ each tester		All 600 Series Testers
Pressure Monitor Transducers	0-150 PSIA	other sizes available upon request	All 600 Series Testers
Decay Transducers	+/- 1psi	+/-5,10,20,50,100	DP
Pressure Resolution	.00001psig		DP
Mass Flow Sensor	0-600sccm	other sizes quoted on request	600MF
Flow Resolution	.1sccm	.02sccm	600MF
Operation Mode	Pressure/Vacuum Decay	Burst, Metered Volume	600DP
Operation Mode	Mass Flow		600MF
Inputs	8 24VDC PNP	24VDC NPN,120VAC	All 600 Series Testers
Outputs	8 24VDC PNP	24VDC NPN, Relay, 120VAC	All 600 Series Testers
Communication	* RS485/232 PLC Port,USB, Ethernet	Devicenet, Modbus, Profibus	All 600 Series Testers
Data Collection	USB Flash Drive	Leakmaster Pro-Server, FTP Server	All 600 Series Testers
Screen Size	6" Color	7.5",10" Color	All 600 Series Testers

# Turnkey Solutions

Utilizing the latest 3D modeling software to design and build simple to extremely complex test machines



From Concept ...



... to Production

- ◆ Simple operator loaded manual leak test cells
- ◆ Automatic test cells
- ◆ Custom seal tooling
- ◆ Project management
- ◆ Expert Mechanical and Controls engineering
- ◆ Expert in-house machining and building solutions

## Industries

### Automotive



### Consumer



### Medical

